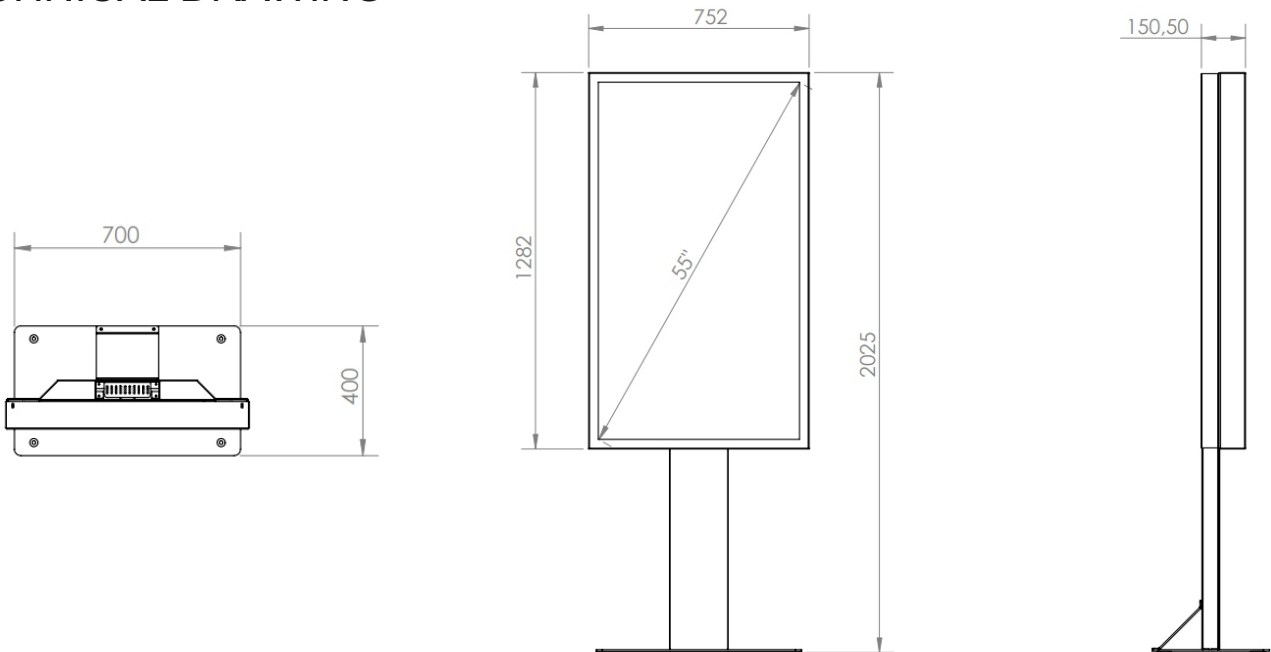


Our floorstand glass casing has been designed to offer different casing options. We use a printed glass on the pillar below the display. This feature gives an exclusive feeling. Perfect in public spaces and store windows. Only portrait mode available.



TECHNICAL DRAWING



SPECIFICATION

Features

- Printed glass as pillarfront below display
- Protection glass as option
- Available in Black or White
- Shelf inside the pillar for external computer

Material options

- Powder coated metal

Powder coating options

- Black, RAL 9005str
- White, RAL 9003str
- Custom color upon request

Part number & Description

- | | |
|------------------|-------------------------------------|
| • FS5525-5001-01 | Floorstand Glass with Casing, White |
|------------------|-------------------------------------|