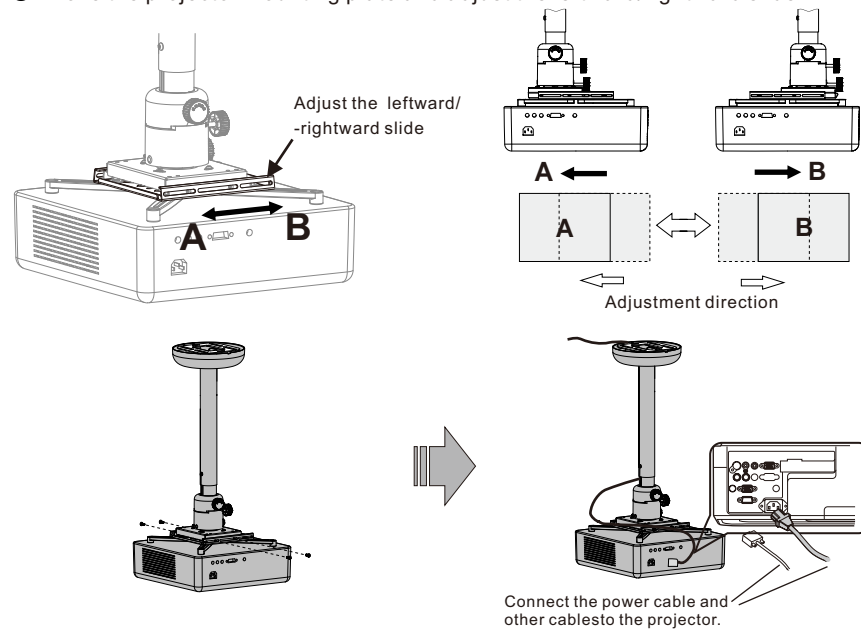
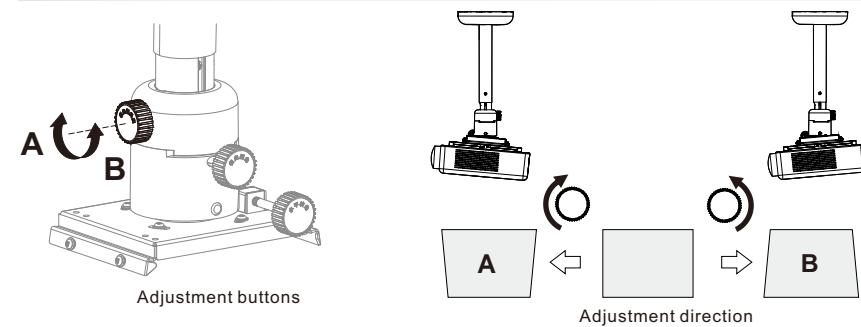


## To Install The Projector On The Projector Ceiling Mount

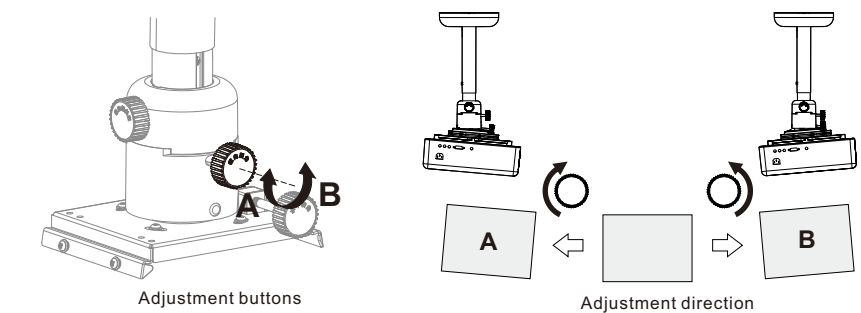
- Move the projector mounting plate and adjust the leftward/rightward slide.



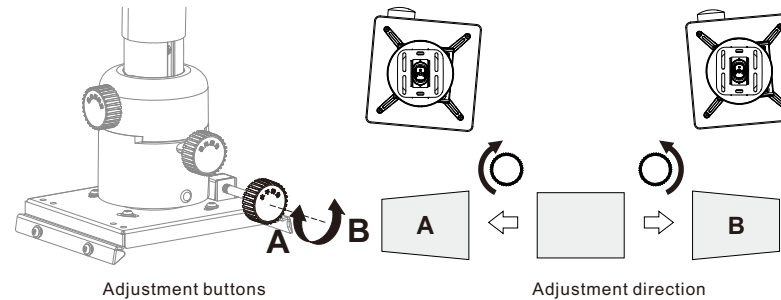
## To Adjust The Vertical Tilt



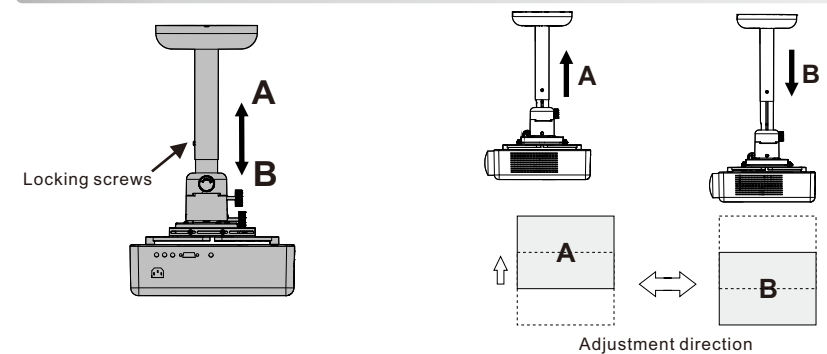
## To Adjust The Horizontal Roll



## To Adjust The Horizontal Rotation

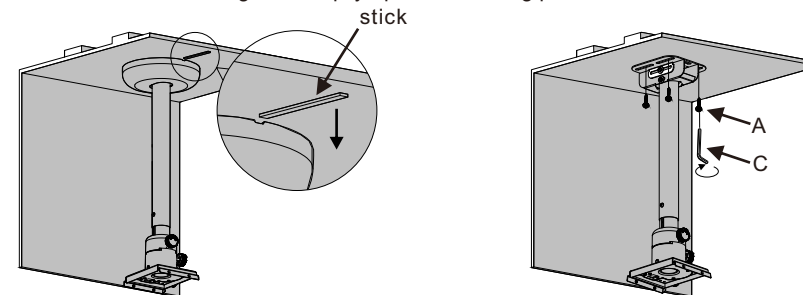


## To Adjust The Upward/Downward Slide



## To Remove The Projector Ceiling Mount

- Use a stick or something hard to pry open the ceiling plate cover.

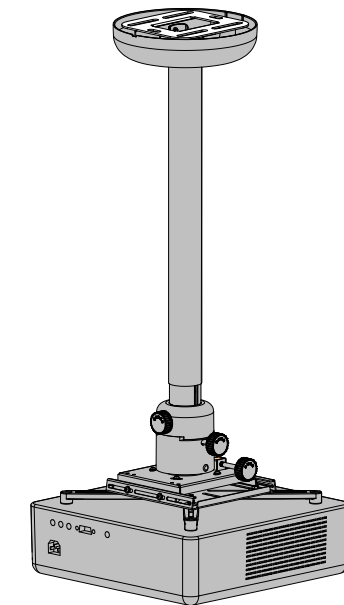


## Product Information :

Model	M Universal Projector Ceiling Mount 900-1600 with Fine tune
Product Weight	2.6kg
Max Weight Load	25kg
Adjustable Range	900mm-1600mm(from mounting plate bottom to the ceiling)
Adjustable Angle	± 5° tilt, left/right, front/rear and lateral rotation adjustment



## M Universal Projector Ceiling Mount 900-1600 with Fine tune



- Be sure to read this manual thoroughly and to do the installation work safely.

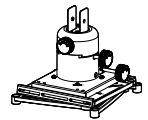
Keep this manual available for future reference.

- Sufficient expertise is required for installing this projector Ceiling mount.
- Do not use the projector Ceiling mount for purposes other than for which it is designed.

## Important Safety

- ❶ Be sure to read this manual thoroughly to do the installation work.
  - ❷ Only qualified service personnel (two or more) should carry out installation or dismantling of the projector from the projector wall mount.
  - ⚠ **Use with products heavier than the maximum weights (Weight Capacity : <25kg) indicated may result in instability causing possible injury.**
  - ❸ For safety reasons, check the strength of the wall before installation. If the wall is not strong enough, reinforce it sufficiently before installation.
  - ❹ Do not make alterations to the projector Ceiling mount.
  - ❺ Do not install the projector Ceiling mount on a wall subject to vibration or impact.
  - ❻ To avoid fire, do not install the projector with the projector Ceiling mount in a humid or excessively dusty place.
  - ❼ Use the supplied accessories only. Use of accessories other than those supplied may result in damage to the projector Ceiling mount.
  - ❽ When dismantling the projector from the projector Ceiling mount, be sure to unplug the AC power cord and other connecting cables beforehand.
  - ❾ Do not hit or hang any heavy objects on the projector Ceiling mount. If the projector Ceiling mount is damaged, stop use and contact a qualified service person immediately.
  - ❿ Please install this apparatus only on the horizontal surface instead of the slanting one.
- \* **Manufacturer is not liable for any damages or injury caused by mishandling or improper installation.**

## Checking The Supplied Accessories



Projector mount (1)



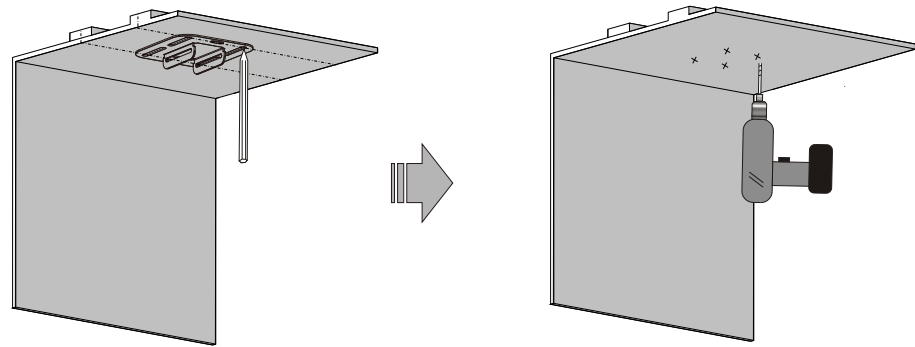
AL arm (1)



Ceiling plate with cover (1)

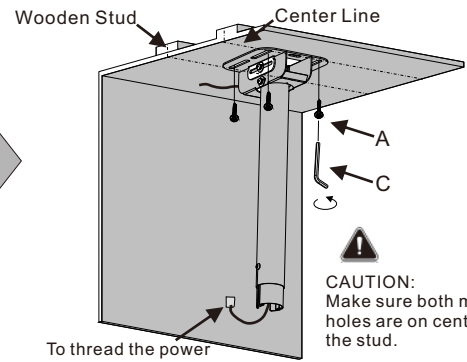
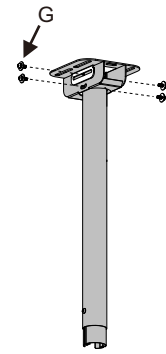
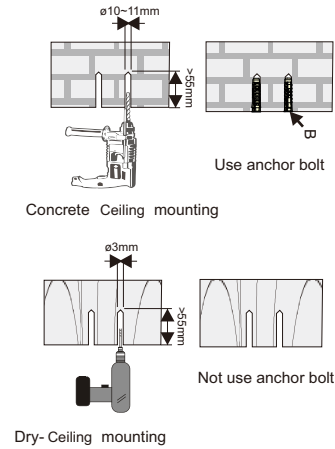
NO	diagrammatic presentation	designation	quantity	NO	diagrammatic presentation	designation	quantity
D		Screw(M3X10)	4	H		Screw(M5X25)	4
E		Screw(M4X10)	4	I		M5 nuts	4
F		Screw(M5X12)	4	J		spacer(8.0)	4
G		Screw(M5X15)	4	K		M6 Connecting screws	4
A		Screw(M6X55)	5				
B		Φ10mm Anchor bolt	5				
C		Allen key	1				

## To Set The Projector Ceiling Mount On The Wall

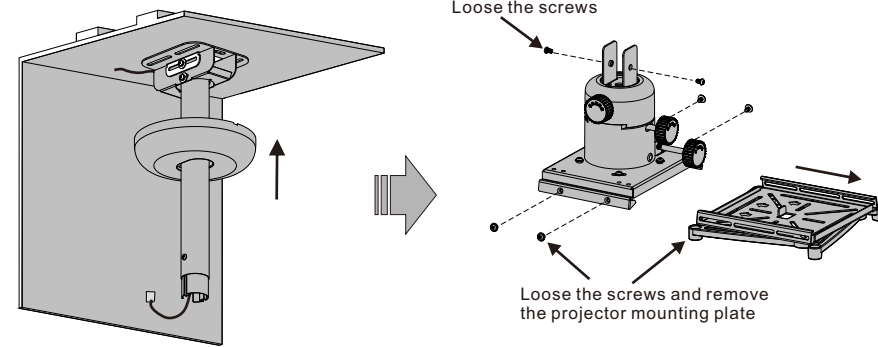


## To Set The Projector Ceiling Mount On The Wall

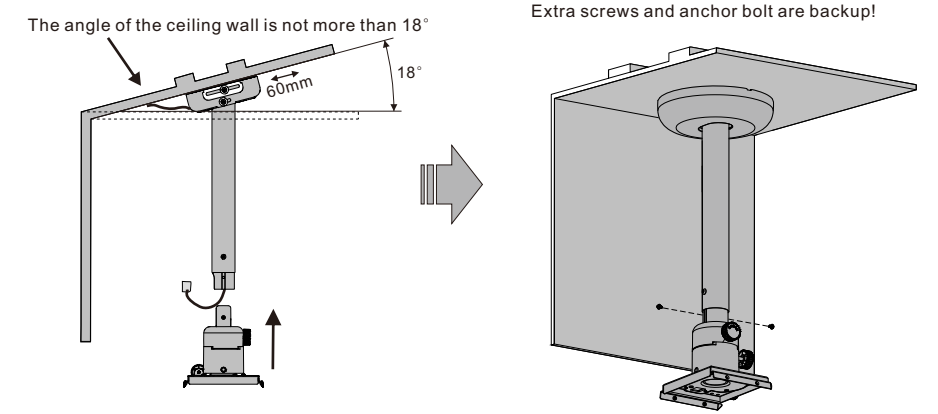
- Concrete ceiling mounting thickness must be a minimum 100mm. Anchor bolt and screw (M6 × 55) are needed to be used for installation.
- Dry-ceiling mounting thickness must be a minimum 70mm. Only screw(M6 × 55) is needed to be used for installation. If the wall is not strong enough, reinforce it sufficiently before installation.
- Please contact reseller if you have any questions about mounting surface issue.



To thread the power cable and other cables from the AL pipe

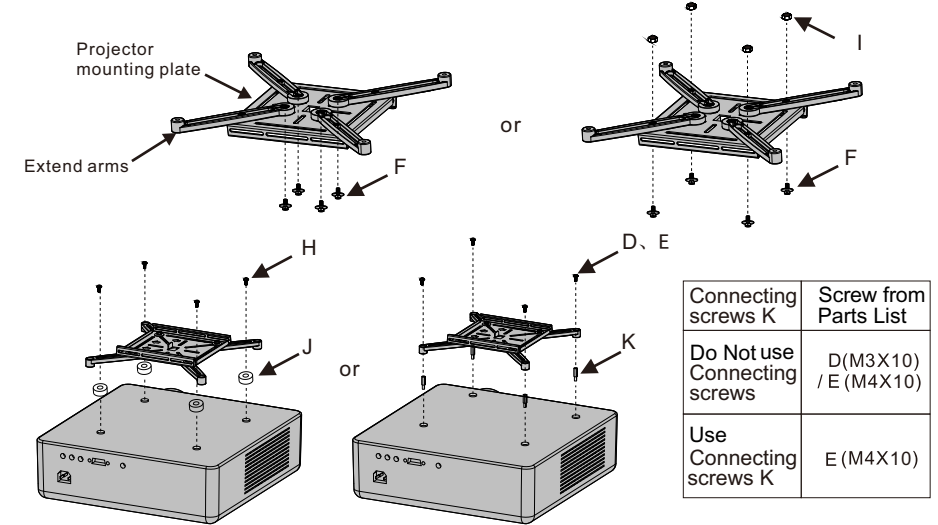


## To Set The Projector Ceiling Mount On The Wall



## To Install The Projector On The Projector Ceiling Mount

a. Use the extend arms :



b. Do not use the extend arms :

